

## Syntax-S600 Series Equipment Racks



The Syntax S-600 Series Equipment Rack is a cost effective and practical range of Racking System solution to suit various requirements. The highly flexible construction offers the options in either fully assembled or knock-down configuration.

The robust and rugged frameworks complement the modest S-600 Series Equipment Rack with its sturdy design. In addition, these reliable racks can be further integrated with various accessories to meet the increasing demands in security and thermal requirements.

### Standard

- Comply with ANSI/EIA RS-310-D, IEC297-2, DIN 41491; PART 1 DIN 41494; PART 7, ETSI Standard.

### Features

- Sturdy and robust construction in design
- Exquisite design with precise dimensions and craftsmanship
- Static load rating at 800kg
- Fully Vented Top for enhanced ventilation
- “Open Concept” Bottom Cable Entrance for massive cabling requirement
- Flexible fully assembled design for various site requirements
- Easy to disassemble Front/ Rear/ Side doors; enable convenient operation from any side of the cabinet
- Up to IP20 protection
- Comprehensive range of sizes available
- Colour- Fully powder coated (RAL 7035/ RAL 9004 Black)



Embedded PDU



Q-Turn Flush Latch Lock



Various Additional Accessories Available



Vented Top Flush



Easy Lift-Off Side Panel



Front Persplex Door

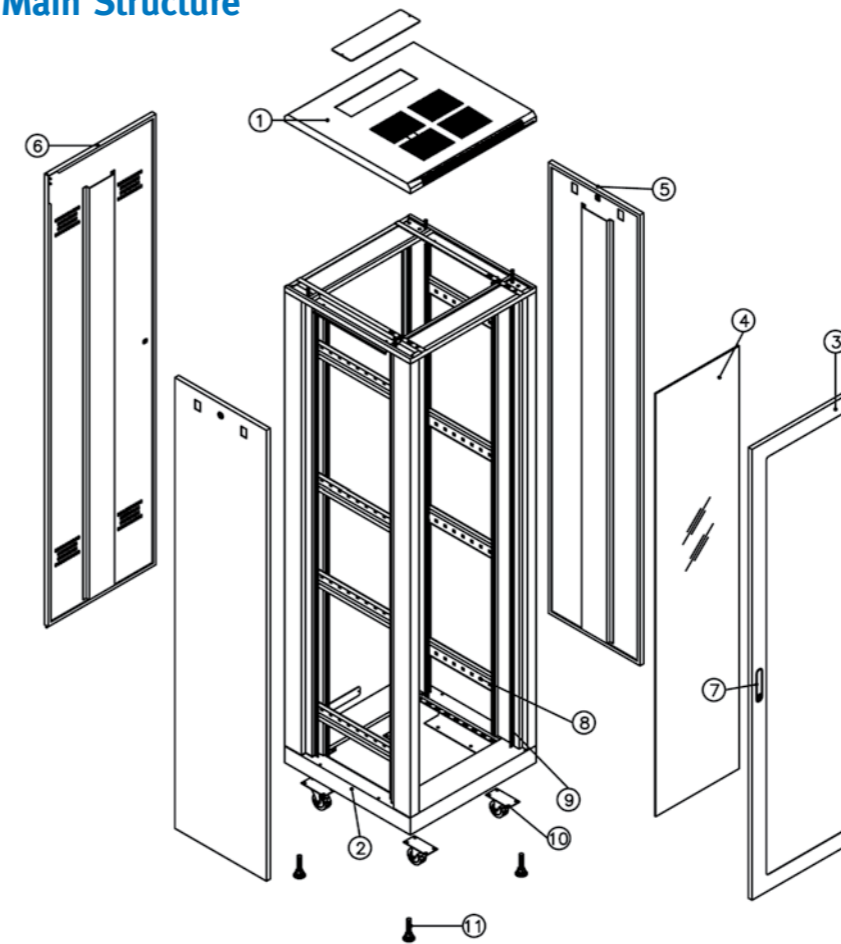


Practical Door Swing Angle of 120 degrees

## Syntax - S600 Series Equipment Rack

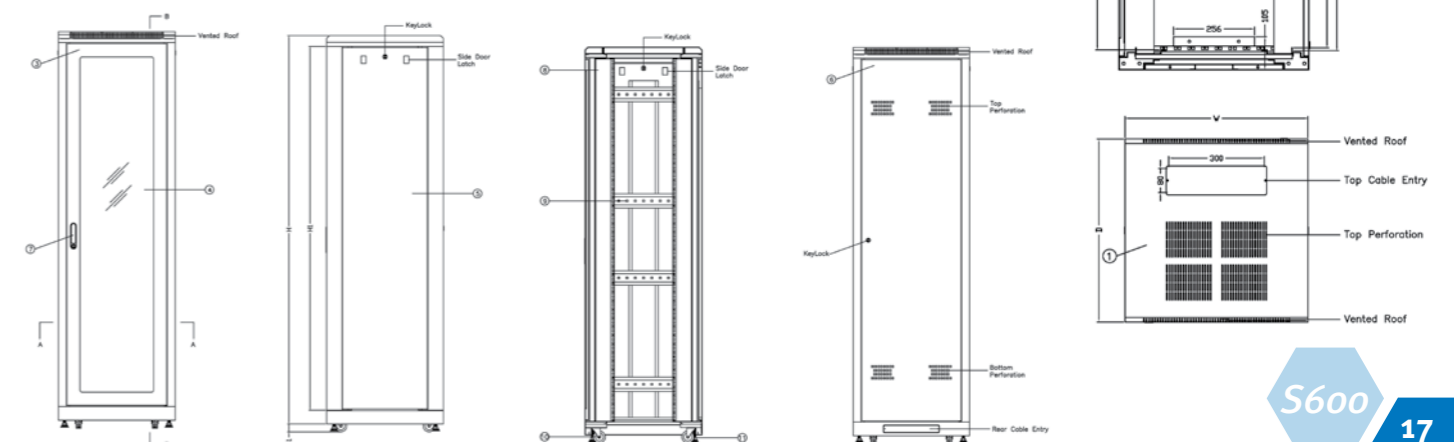
# 600 Width

### Main Structure



1. Vented Top Flush with Cable Entry
2. Floor Mounted Base Frame with Cable Entry
3. Interchangeable Front Door with Rear Door
4. Tanned Glass Panel
5. Lift-Off Side Panel with Flush Latch Keylock
6. Vented Door with Keylock
7. Quarter Turn Flush Latch Lock
8. Panel Mount Support
9. Panel Mount with Unit Indication
10. Castor Wheels
11. Leveling Stand (Adjustable)

### Main Dimension

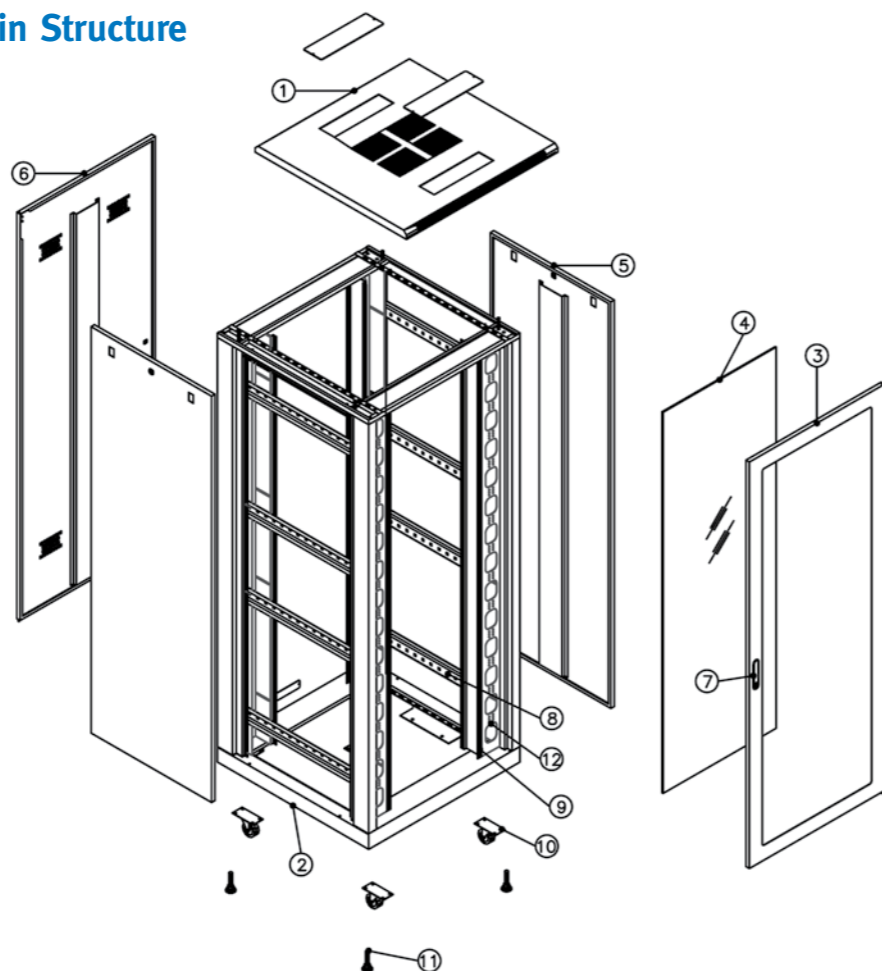


# 800 Width

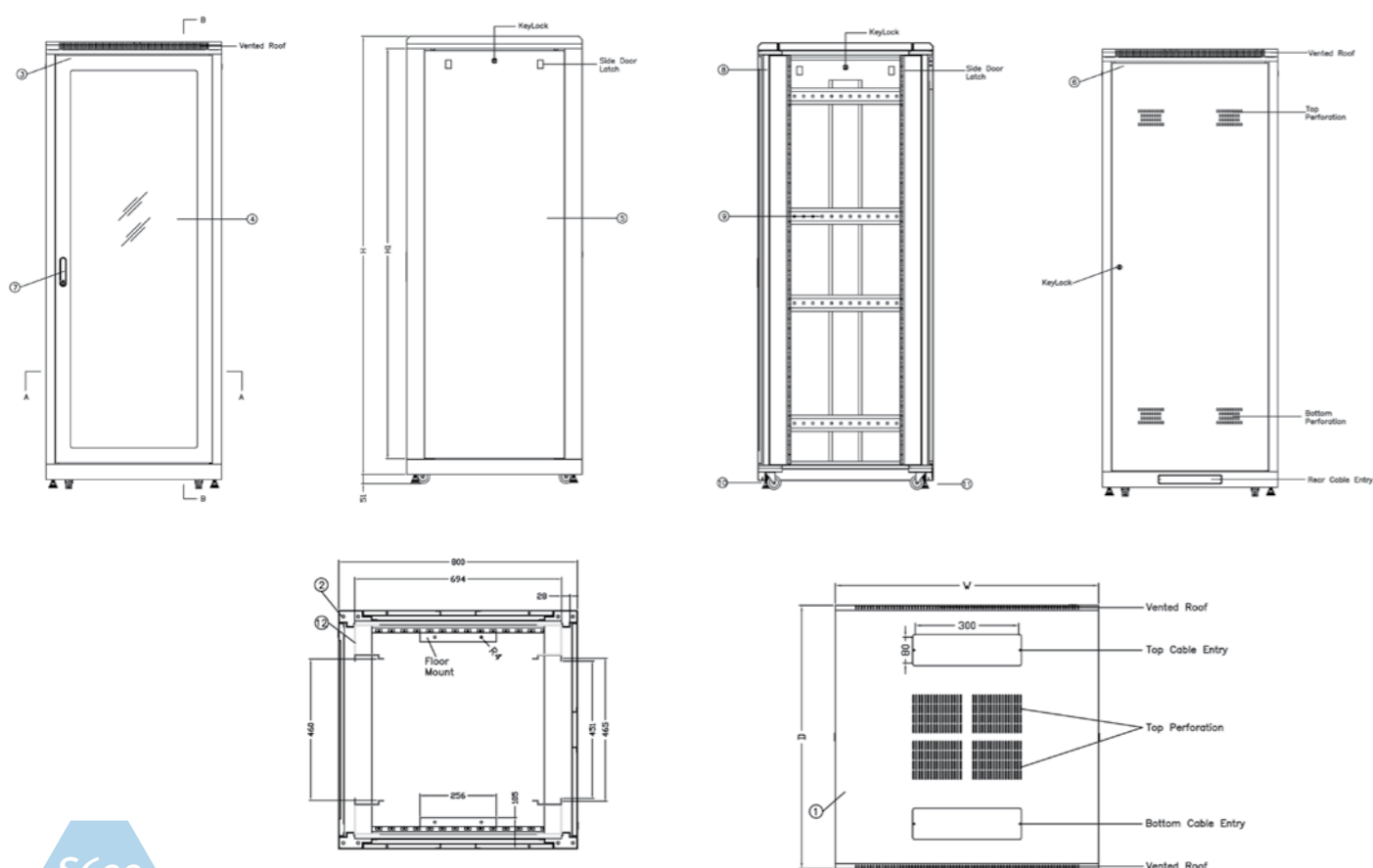
## Syntax - S600 Series Equipment Rack

1. Vented Top Flush with Cable Entry
2. Floor Mounted Base Frame with Cable Entry
3. Interchangeable Front Door with Rear Door
4. Tanned Glass Panel
5. Lift-Off Side Panel
6. Vented Door with Keylock
7. Quarter Turn Flush Latch Lock
8. Panel Mount Support
9. Panel Mount with Unit Indication
10. Castor Wheels
11. Leveling Stand (Adjustable)
12. 19" Panel Conversion Kits

### Main Structure



### Main Dimension



### Ordering Information and Physical Sizing (Overall External Dimension with Castor wheels & Legs)

RU	600 x 600	600 x 800	600 x 900	600 x 1000	800 x 600	800 x 800	800 x 1000*	Height(mm)
12U	S6612	S6812	S6912	S61012	S8612	S8812	S81012	702
17U	S6617	S6817	S6917	S61017	S8617	S8817	S81017	925
22U	S6622	S6822	S6922	S61022	S8622	S8822	S81022	1146
27U	S6627	S6827	S6927	S61027	S8627	S8832	S81032	1370
32U	S6632	S6832	S6932	S61032	S8632	S8832	S81032	1592
37U	S6637	S6837	S6937	S61037	S8637	S8837	S81037	1814
42U	S6642	S6842	S6942	S61042	S8642	S8842	S81042	2036
47U	S6647	S6847	S6947	S61047	S8647	S8847	S81047	2260

\*Depth 900 & 1000mm Racks c/w Universal Mounting Platform (UMP)  
 \*Depth 900 & 1000mm Racks come default in RAL 9004 Black Color  
 \*\*Other sizes available upon request.  
 (Please kindly check with our sales for further requirements)

### Standard Scope of Supply

- Full Vented Top Frame with Front & Rear Cable Entrance
- 2 x Lift Off Type Side Door with Quick Release Catch & Camlock
- 1 x Persplex Front Door with Q-Turn Flush Latch Lock
- 1 x Vented Rear Door with Cam Lock
- (D600) 2 x 4" with Top Fan Tray (Low Noise)
- (D800 & Above) 4 x 4" fan with Top Fan Tray (Low Noise)
- 1 set Panel Mount Support
- 4 x Panel Mount with Unit Indicator
- 1 x Base Frame with Open Bottom Cable Entrance
- 1 set of Heavy Duty Castor Wheel
- 1 set of Leveling Stand
- 2 x Vented Equipment Fixed Tray
- 1 x Power Distribution Unit (6/8/12 Way)
- 1 Pkt of M6 Cage Nuts Assembly
- Finish with Epoxy Powder Coating RAL 7035 Light Grey, RAL 9004 Black

- (W800 Rack) 1 set 19" conversion kit
- (W800 Rack) 2 x Front Cable management c/w Multiple Cable Entrance
- (W800 Rack) 1 x Cable Tray

### Basic Rack Dimension

