

Syntax SDW - Wall Mount Cabinets (Double Section)



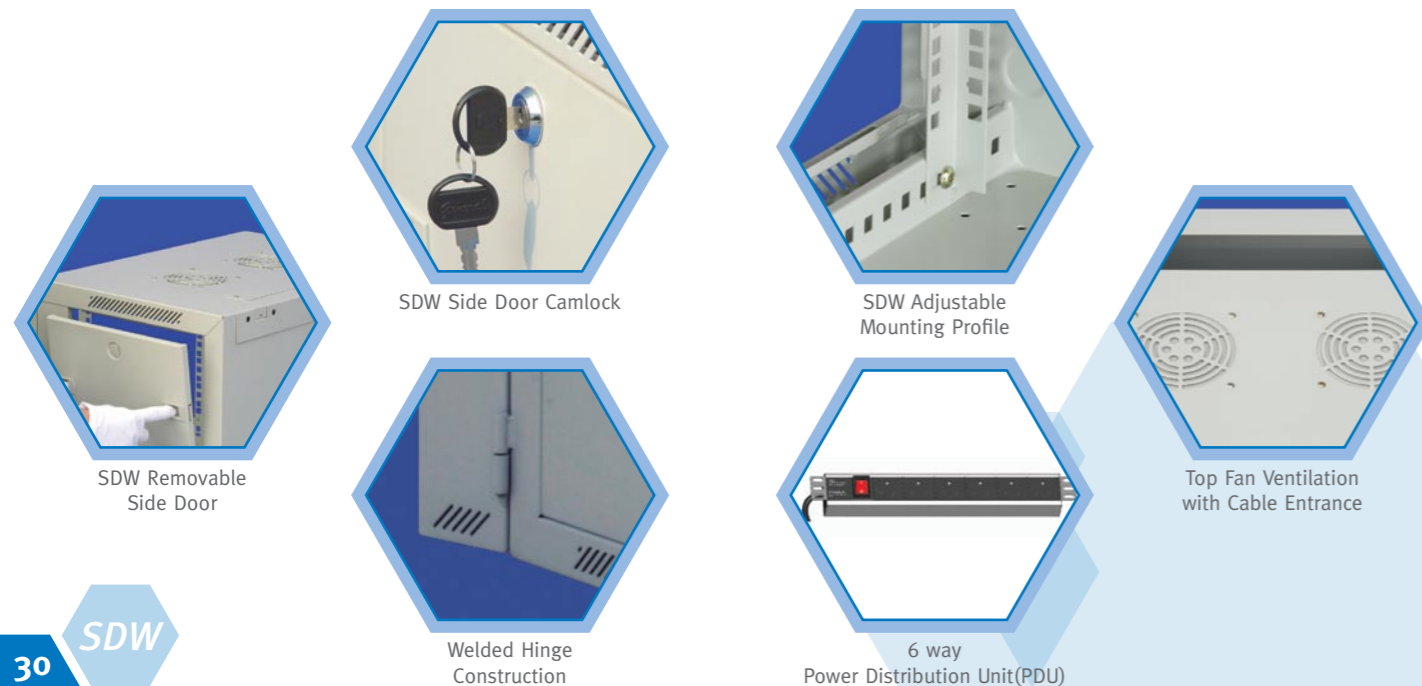
The Syntax-Double section Wall Mount Cabinets Series - Designed for feasible usage to suit regular maintenance and maximizing the flexibility for any site installation. These “swing framed design”, provides the means of easy access to the rear of the cabinets for rapid installation. With multiple modular cable entrances, it allows massive cabling and reduces the hassle during equipment’s installation.

Standard

- Comply with ANSI/ EIA RS-310-D, DIN414197 part 1, IEC297-2, DIN41494 part 7, GB/T3047.2-92 standard.

Features

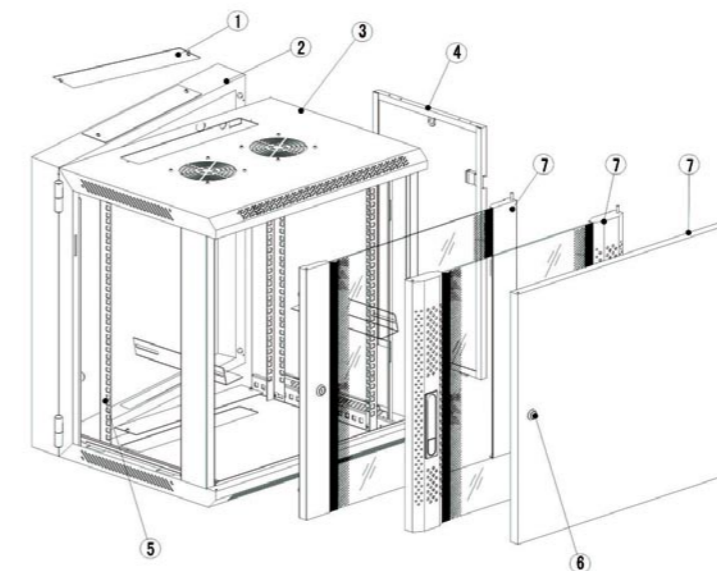
- Double Section robust Swing-Frame for both easy installation and maintenance tasks
- Reliable structure with welded Frameworks
- Elegant design with Tempered Glass door
- Wide Front Door swing angle over 180 degrees
- Wide Sub section swing angle over 90 degrees
- Easy removable side panels with lock
- Hassle-free installation method (Patent)
- Additional wheels and legs for further stand-alone integration (Optional)
- Up to IP20 protection
- Load rating at 60kg
- Comprehensive range of sizes available
- Top and Bottom modular cable entrance
- Colour- Fully powder coated (RAL7035 Light Grey/RAL9004 Black)



Syntax - SDW Wall Mount Cabinet

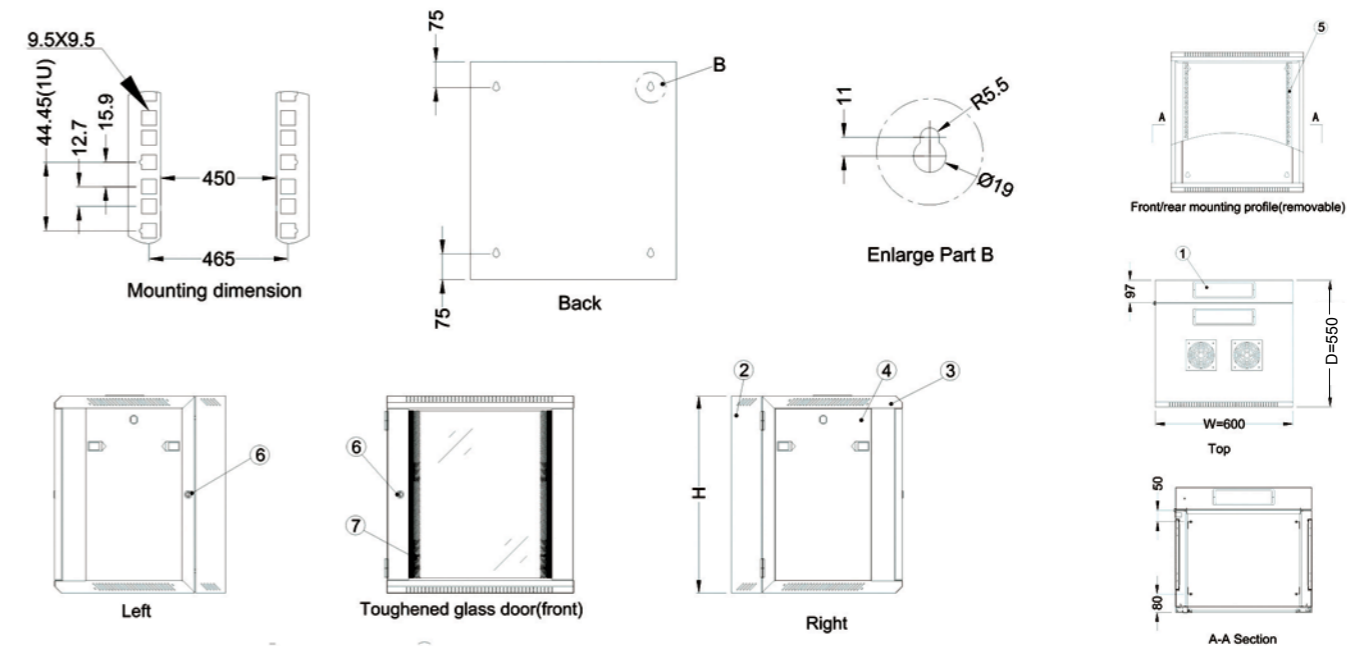
SDW Wall Mount

Main Structure



1. Cable Entry Cover
2. Back Panel
3. Frame
4. Side Panel
5. Mounting Profile
6. Lock
7. Front Door

Main Dimension



Ordering Information and Physical Sizing

RU	W600 x D550	Height(mm)
6U	SDW6506	368
9U	SDW6509	501
12U	SDW6512	635
15U	SDW6515	769
22U	SDW6522	1082
27U	SDW6527	1304

(Please kindly check with our sales for further requirements)

Standard Scope of Supply

- Vented Top Flush With 2 x 4Inch Fan (Low Noise)
- 2 x Side Door with Cam Lock
- Front Door - Tempered Glass with Cam Lock
- 4 x Panel Mount with Unit Indication
- 1 x Power Distribution Unit (6 Way)
- 1 x Cam lock for Main and Sub Section
- 1 Packet of M6 Cage Nuts Assembly
- Finish with Epoxy Powder Coating RAL7035 Light Grey