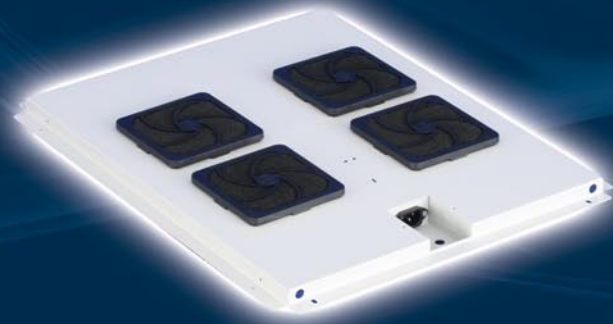


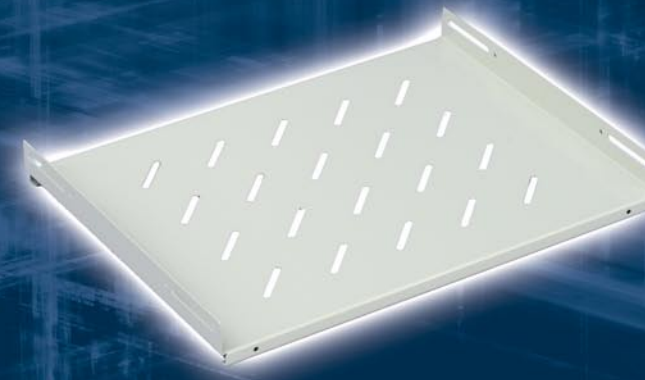
### 3U Hot Fix Fan Unit



### Top Fan Unit



### AC Fan



### Vented Equipment Fixed Trays (Standard)

#### 3U Hot Fix Fan Unit

19" mount 3U Hot Fix Fan Unit is creatively designed to direct air flow away from the point of heat saturation at any location in any racking system.

Comprising of 3 fans, the 3U fan unit will be able to effectively provide thermal control by diverting heat away from the equipments.

#### Ordering Information and Physical Characteristics:

Model No.	Remarks
HF-3U	3U Rack Mount (RAL7035)
HF-3U-BL	3U Rack Mount (RAL9004)

#### Standard Scope of Supply

- 3 x 4 inch AC Fan (Low Noise)
- 1 x AC Power Cord with BS1363 UK Plug
- \*Finish with Epoxy Powder Coating: RAL7035 Light Grey or RAL9004 Black

#### AC Fan

AC fans are standard 4" fans commonly used in fan units. They produce low noise in generating air flow and can be further integrated with fan guards, filters and fan trays to become a feasible and inexpensive method of heat exhaustion.

#### Ordering Information and Physical Characteristics:

Model No.	Bearing System	Voltage VAC	Freq. Hz	Current A	Power W	Speed RPM	Noise dBA	Air Flow m3/hr	CFM
FAN-AC-4		220~240	50/60	0.10	10/9	2100/2400	35/39	114/127	67/75

\*Please contact our sales for further requirements.

#### Top Fan Unit

Top Fan Unit is conventionally installed on the top frame of the cabinet to provide thermal control by assisting the rate at which heat leaves the cabinet through the top of the cabinet. Heat hot-air pockets are thus dispel via such exhaust method. Number of fans in each Top Fan Unit provided will depend on the size of the cabinet.

#### Ordering Information and Physical Characteristics:

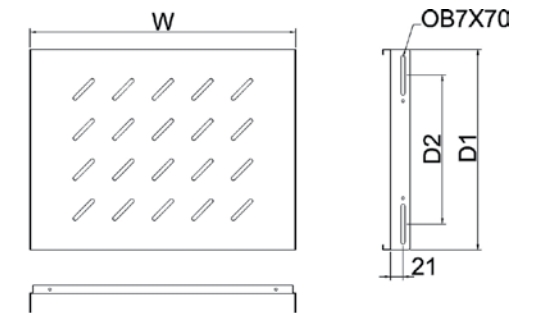
Model No.	Remarks
TF-2	2 x 4" Fan with Top Fan Tray, Guard & Filter
TF-4	4 x 4" Fan with Top Fan Tray, Guard & Filter
TF-6	6 x 4" Fan with Top Fan Tray, Guard & Filter

#### Standard Scope of Supply

- 1 x AC Power Cord with BS1363 UK Plug (IEC Terminated)
- \*Finish with Epoxy Powder Coating: RAL7035 Light Grey or RAL9004 Black

#### Vented Equipment Fixed Trays (Standard)

Fixed trays are platforms designed to house various equipments that are not 19" rack mountable in a 19" cabinet. They are installed directly on the cabinets' panel frame for maximum support and come with ventilation slots for better air circulation to account for the high running temperature of equipments.



#### Ordering Information and Physical Characteristics:

Model No.	Width(mm)	Depth 1(mm)	Depth 2(mm)	Color	Remarks
TST66	472	350	260	Light Grey	For Depth 600 Rack
TST66-BL	472	350	260	Black	For Depth 600 Rack
TST68	472	550	460	Light Grey	For Depth 800 Rack
TST68-BL	472	550	460	Black	For Depth 800 Rack
TST69	472	650	560	Light Grey	For Depth 900 Rack
TST69-BL	472	650	560	Black	For Depth 900 Rack
TST610	472	710	620	Light Grey	For Depth 1000 Rack
TST610-BL	472	710	620	Black	For Depth 1000 Rack
TST86	672	350	260	Light Grey	For 27"/ Non 19" D600 Rack
TST86-BL	672	350	260	Black	For 27"/ Non 19" D600 Rack
TST88	672	550	460	Light Grey	For 27"/ Non 19" D800 Rack
TST88-BL	672	550	460	Black	For 27"/ Non 19" D800 Rack
TST810	672	710	620	Light Grey	For 27"/ Non 19" D100 Rack
TST810-BL	672	710	620	Black	For 27"/ Non 19" D100 Rack

\*Load Rating at 60kg

\*Finish with Epoxy Powder Coating: RAL7035 Light Grey or RAL9004 Black