

## Customization and Enclosure *"Have it your Way"*

Syntax Customization works and Enclosures ensures full flexibility to be provided for various requirements. Ability to cater to IP rated outdoor usage, ability to integrate fan units/modules and louvers for maximum ventilation, ability to accommodate removable mounting plates and gland plates, ability to dispense with different materials ranging from aluminum to electro-galvanized steel to stainless steel, and many others, customized enclosures grant an answer to all stringent prerequisite from different industries.

\*Please contact our sales for further requirements.



LCD Stand  
(Stand-alone)



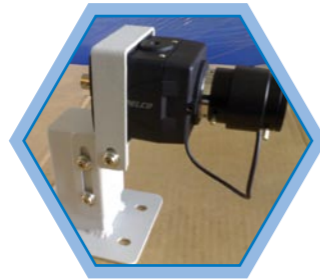
Laptop Cabinet



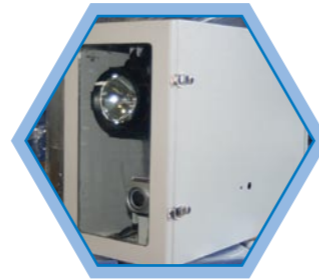
Locker System



19" Computer Table



Camera Bracket



Camera Enclosure



DC Caging System



LCD Monitor  
Display Stand



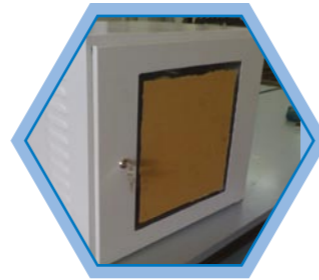
Outdoor Air-Con Rack



Overhang 19" Brackets

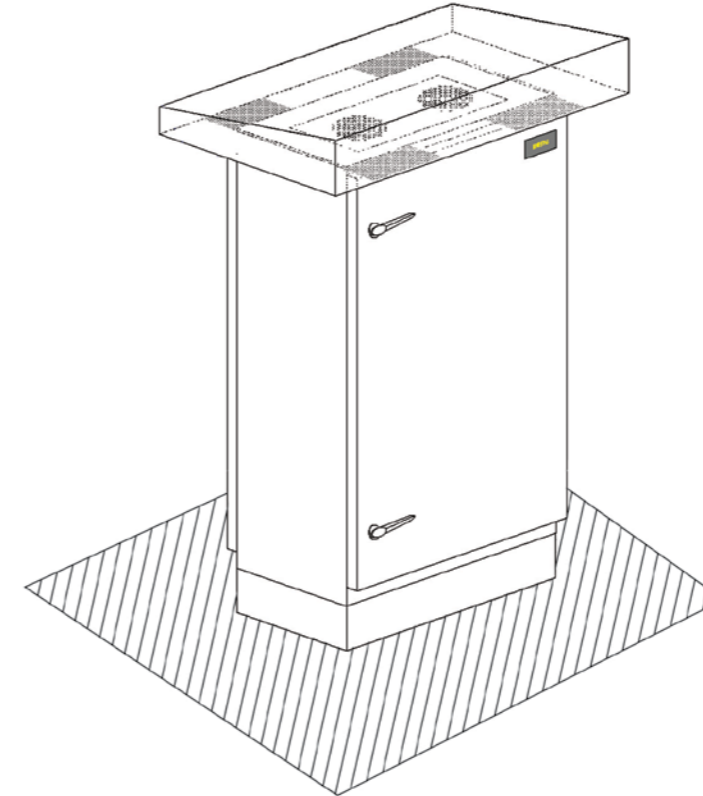


Mini Work Bench



Indoor Enclosure  
with Louvre

## Outdoor Enclosure - Small System



## Outdoor Enclosure - Large System

